

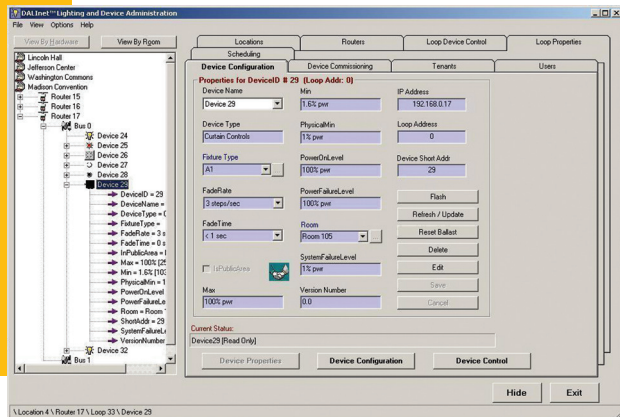
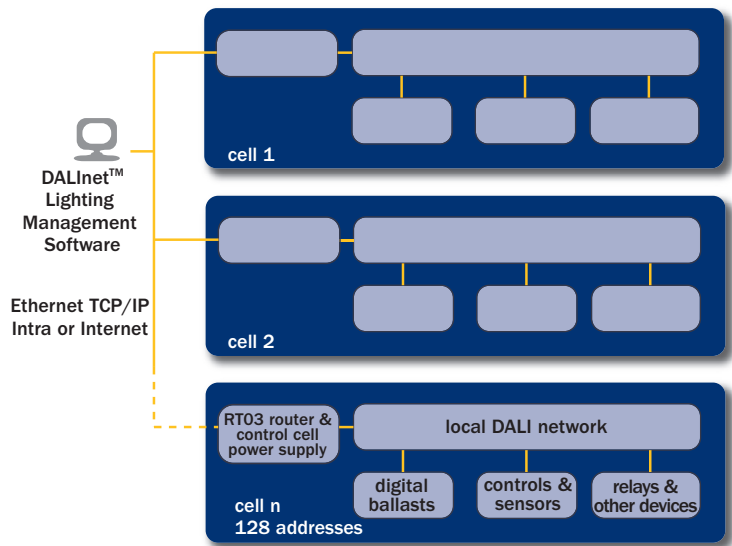
Digital lighting control is *really different*.

Scenes and dimming are standard, lights are responsive, and a single consistent system can embrace the needs of an entire building.

There is more of course, much more. Contact us today to learn about applying the power, flexibility, and simplicity of digital lighting control to your next project.

MODULAR ARCHITECTURE

Starfield's unique parallel operating system uses Internet protocol to link small independent control cells into a reliable high-speed network with unlimited scalability.

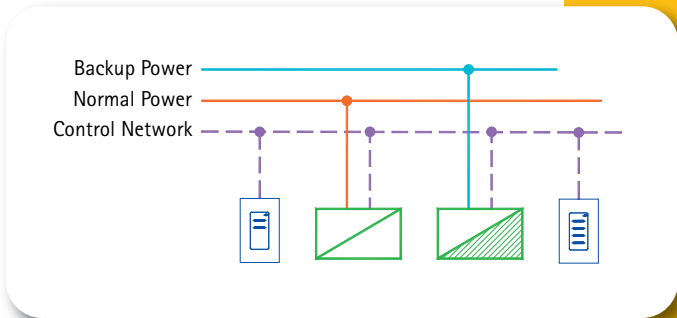


COMPREHENSIVE SYSTEM MANAGEMENT

- Group and Individual Configuration and Control
- Hierarchical and Room Views
- Scheduling Presets
- Energy Monitoring and Tenant Billing
- Lamp and Ballast Failure Reports

SIMPLIFIED WIRING

A two-wire, low-voltage control network that is inherently multi-station, electrically isolated, and can be pulled with power wiring or free-run.



FULL FEATURE MODULAR CONTROLS

Scene Presets

Dimmers

On/Off

Curtain and Projection Screens

Pop-up Control Screens



COMPLETE INFRASTRUCTURE & ACCESSORIES

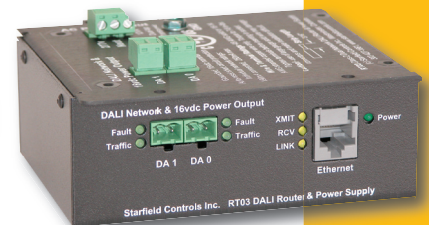
Addressable Ballasts

Photo and Occupancy Sensors

Routers and Gateways

Retrofit Wiring System

Incandescent Dimming Modules

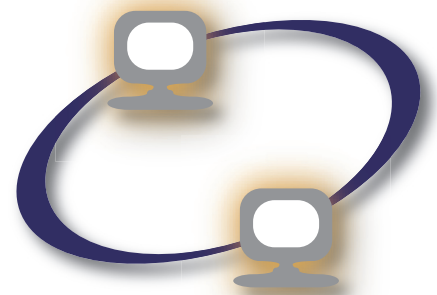


ENERGY & CODE COMPLIANCE

Maximize LEED points and comply with the most stringent energy and safety requirements with a single, easily-installed consistent system.

ON-LINE SUPPORT

Real-time, on-line support via secure Internet connection.



Full System Provider

Starfield works with lighting fixture manufacturers and local electrical contractors to provide and warranty complete systems. Our standard package includes all control related components, application engineering, shop drawings, full system check-out, final configuration, and 6 months on-line support.

AWARD WINNING PRODUCT LINE

Starfield Controls received the lighting industry's highest achievement and new product awards at Lightfair 2002.

CONTACT INFORMATION

Starfield Controls Inc.
1400 West 122nd Ave, Suite 240
Westminster, CO 80234
Off: 303.427.1661 Fax: 303.255.0701
Web: starfieldcontrols.com
Email: sales@starfieldcorp.com

GENERAL SPECIFICATIONS

Wall Control Form Factor: NEMA Decora
Plastic: UL 94v5 flame retardant PVC/ABS high impact
Control and Networking Standards: DALI, Ethernet 10basT, TCP/IP
UL Listing: Standard 916, file number E231318
Colors: NEMA WD1, white, ivory, gray, and black with matching or contrasting switch caps
Control Cell: 16 groups and scenes for each addressable device, 64 addresses per bus with group bridging to 128. 16vdc nominal, 250mA max, 190mA connected
Control Network Wiring - Two-wire, low-voltage, non-polarized, free-topology, and may be pulled as Class 1 or Class 2 wiring. Twisted pair and shielding not required. See NEC article 300 for Class 1 wiring requirement when pulling control wire with lighting power wire.
Power and control circuits are electrically isolated and independent



ENERGY FEATURES

- Compliant with ASHRAE 90.1, California Title 24, Seattle, Chicago and other similar energy codes.
- Meets Title 24 2005 "on-at-50%" requirement
- Use 2 lamp fixtures to meet 50% switching requirements and reduce connected load by 29% vs. 3 lamp fixtures
- Replace bi-level switching with full dimming
- Auto-off with small zone building sweeps or networked occupancy sensors
- Create daylight zones without dedicated power circuits
- Integrated sun shade control
- Open, closed, linear, and non-linear daylighting options
- Scheduling with business, weekend, and holiday settings
- Built-in energy monitoring and tenant billing
- Individual dimming control